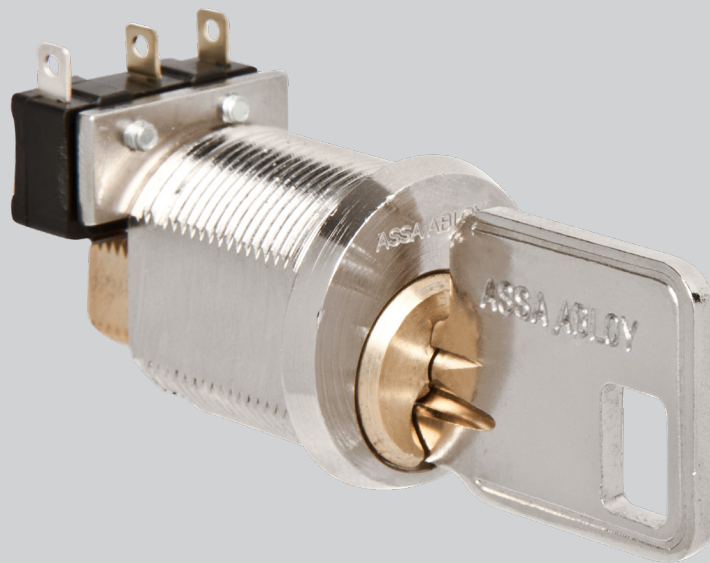


# ASSA 23450

**ASSA ABLOY**  
Opening Solutions

## Cam Lock Micro



### **Performance**

5-pin heavy duty cylinder lock for material thickness up to 15 mm.

Cylinders and keys of nickel plated brass.

### **Function**

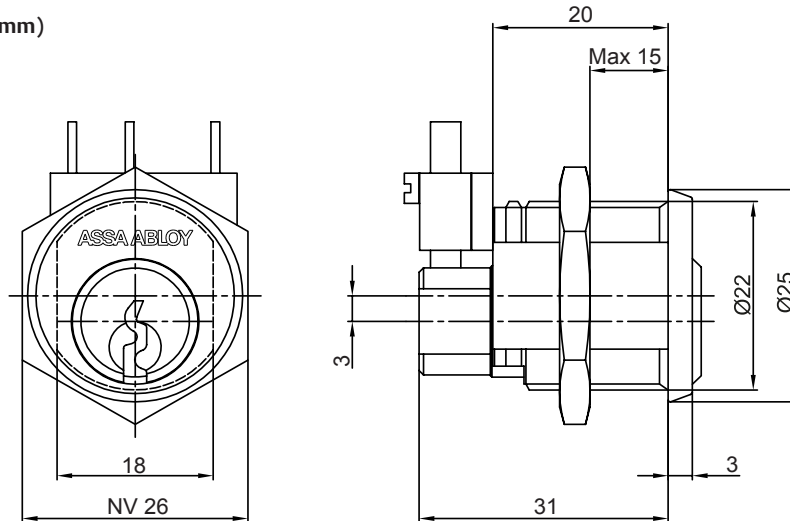
The lock is equipped with a micro switch that is triggered by the 90° rotation of the cylinder plug.

The key turns 90° and can only be removed in locked position.

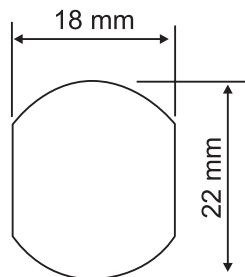
**NORMAL  
SECURITY**

## Cam Lock Micro

### Dimension (mm)



### Hole preparation



Included in part no: 390590 000 002

Part	Part no.	Material	Finish
Keys (2 pieces)	491155 000 002	Brass	Nickel plated
Large nut	490610 000 057	Steel	Zinc plated
Mounting washer	417030 000 002	Brass	Nickel plated
Micro switch	064690 000 000		
Screws M2 (2 pcs)	064901 000 000		
Screws M2.3 (2 pcs)	064929 000 000		

### Notes

Cylinder house: Nickel plated brass  
 Cylinder: Brass  
 Cam lock without micro switch, part no: 390696 000 002  
 Accessories see data sheet "Accessories"  
 Spare parts see data sheet "Spare Parts"

### Technical data for the micro switch

Unipolar alternating function  
 Adapted for solder connection  
 Electrical data  
 2A ~  
 1A =

ASSA ABLOY Opening Solutions Sweden  
 P.O. Box 371  
 SE-631 05 Eskilstuna  
 Sweden

Phone +46 (0)16 17 70 00  
 Fax +46 (0)16 17 70 49

Customer support:  
 Phone intl. +46 (0)16 17 71 00  
 Phone nat. 0771-640 640  
 Fax +46 (0)16 17 73 72  
 e-mail: [helpdesk.se.openingsolutions@assaabloy.com](mailto:helpdesk.se.openingsolutions@assaabloy.com)  
[www.assaabloyopeningsolutions.se](http://www.assaabloyopeningsolutions.se)